

GV-650A, GV-800A

The GV-650A and GV-800A Cards have similar appearances, system requirements and packing list so that we introduce both together in this section. However, you may choose between the two according to your need for recording rate and audio channels.

Minimum System Requirements

OS	32-bit	Windows XP / Windows Vista / Windows 7 / Windows Server 2008	
	64-bit	Windows 7 / Windows Server 2008	
CPU	GV-650A	Pentium 4, 2.4 GHz	
	GV-650A x 2	Pentium 4, 2.8 GHz with Hyper-Threading	
	GV-800A	Pentium 4, 3.0 with Hyper-Threading	
	GV-800A x 2	Pentium 4, 3.0 GHz Dual Core	
RAM	Windows XP	2 x 512 MB Dual Channels	
	Windows Vista / 7 / Server 2008	2 x 1 GB Dual Channels	
HDD	GV-650A / GV-800A	80 GB	
	GV-650A x 2 / GV-800A x 2	160 GB	
VGA	GV-650A / GV-800A	ATI Radeon X600 / NVIDIA 6200	
	GV-650A x 2		
	GV-800A x 2	ATI Radeon X1300 PCI-E / NVIDIA GeForce 7300 PCI-E	
DirectX	9.0c		

Packing List

- | | |
|--|--------------------------------------|
| 1. GV-800A or GV-650A Card x 1 | 5. Hardware Watchdog Jumper Wire x 1 |
| 2. Audio Extension Card x 1 ** | 6. Software CD x 1 |
| 3. 1-8 Cams with 4-Port Audio D-Type Cable x 1 | 7. Feature Guide x 1 |
| 4. 9-16 Cams D-Type Cable x 1 * | 8. Installation Guide x 1 |

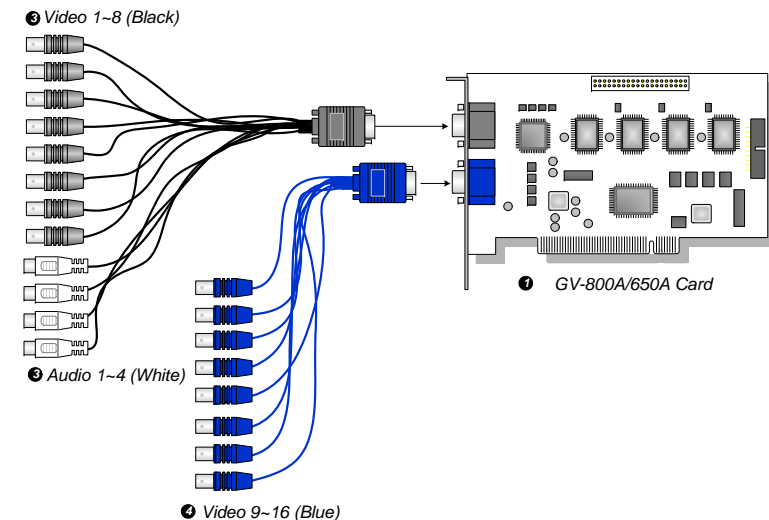
* Supplied with 12-16 Cams D-Type Video Capture Card

** Supplied with BNC Video Capture Card

Connecting One GV-650A/GV-800A Card

There are two types of GV-800A and GV-650A Cards: BNC and D-Type. BNC type only provides four video channels; audio extension card is required for extension. D-Type can provide up to 16 video channels and four audio channels together.

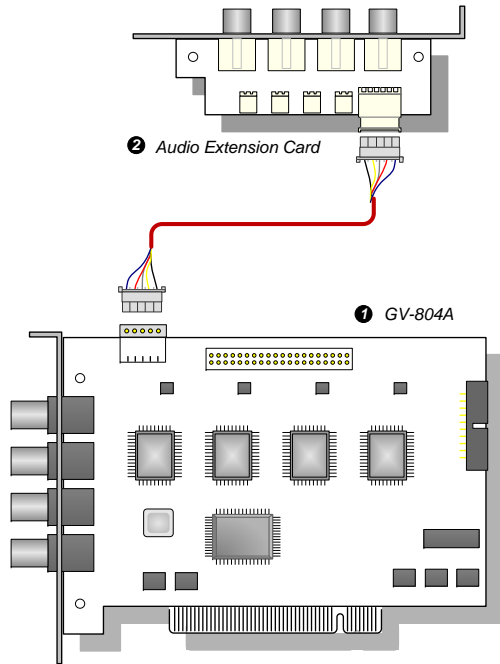
For the D-Type video capture card, plug the black video/audio cable into the black connector on the GV-650A/800A Card; the blue video cable into the blue connector, as illustrated below.



Note:

1. The GV-650A Card only supports two audio channels so that only two audio ports can work in the supplied 1-8 Cams with 4-Port Audio D-Type cable.
2. To install two GV-800A Cards, ensure one of both must have PCI-E interface.

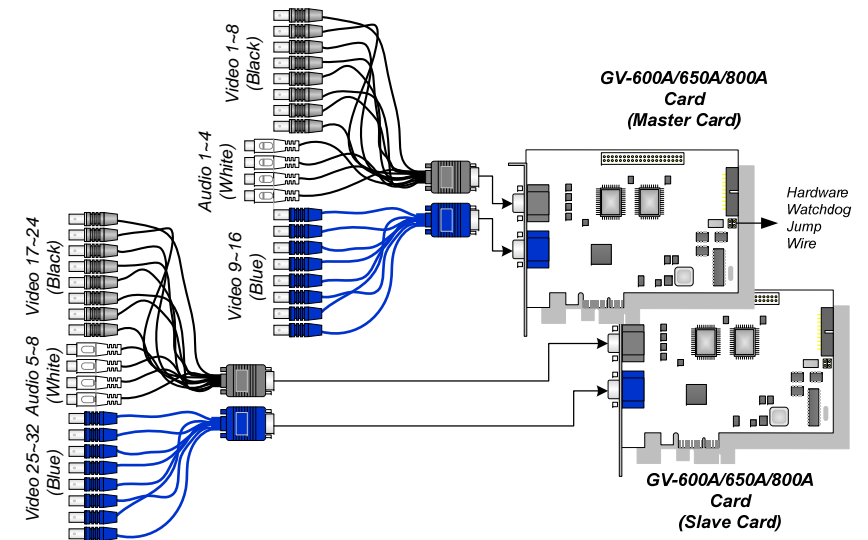
For the BNC-type video capture card, plug the Audio Extension Card into the connector on the GV-650A/804A Card, as illustrated below.



Connecting Two GV-600A/GV-650A/GV-800A Cards

You can install two GV-600A/GV-650A/GV-800A of the same model for up to 32 channels. Master Card is the card with 1-16 channels and Slave Card is that with 17-32 channels. Normally, the card attached to the lower PCI slot number will act as Master, and the card attached to the higher PCI slot number will act as Slave.

- **Two GV-600A Cards only support two audio channels:** Connect microphones to Audio 1 connector of the Master Card, and Audio 5 connector of the Slave Card.
- **Two GV-650A Cards only support four audio channels:** Connect microphones to Audio 1 and Audio 2 connectors of the Master Card, and Audio 5 and Audio 6 connectors of the Slave Card.
- **Hardware Watchdog Connection:** Connect the supplied Hardware Watchdog Jump Wire to the Master Card.
- **Accessory Card Connections:**
 - ⊙ GV-NET/IO Card: Connect the card only to the Master Card.
 - ⊙ GV-Loop Through Card: Connect the card for each video capture card.
 - ⊙ GV-Multi Quad Card: Only connect one card to any of two video capture cards.



Specifications

		GV-650A	GV-800A	
Interface Type		PCI, PCI-E		
Input Type	BNC	BNC x 4		
	D-Type	DB15 x 2		
Video Input		4, 8, 12, 16 Cams		
Audio Input		2 Channels	4 Channels	
Recording Rate	CIF	NTSC	60 fps	120 fps
		PAL	50 fps	100 fps
	D1	NTSC	30 fps	60 fps
		PAL	25 fps	50 fps
Display Rate	CIF	NTSC	60 fps	120 fps
		PAL	50 fps	100 fps
	D1	NTSC	30 fps	60 fps
		PAL	25 fps	50 fps
Video Resolution		NTSC	720 x 480, 720 x 480 De-interlace, 640 x 480, 640 x 480 De-interlace, 360 x 240, 320 x 240	
		PAL	720 x 576, 720 x 576 De-interlace, 640 x 480, 640 x 480 De-interlace, 360 x 288, 320 x 240	
Video Compression Format		Geo MPEG4, Geo MPEG4 (ASP), Geo H264, Geo H264 V2		
Audio Compression Format		G.711		
GV-NET/IO Card Support		Yes		
Dimensions (W x H)		BNC	GV-650A	144 x 98 (mm) / 5.67 x 3.86 (in)
			GV-804A	152 x 94 (mm) / 5.98 x 3.7 (in)
		D-Type	GV-650A	144 x 98 (mm) / 5.67 x 3.86 (in)
			GV-800A	174 x 98 (mm) / 6.85 x 3.86 (in)